



PYTHA LIBRARY CATALOGUE

1004 Standard Cabinet Finger Pull External Back

my 3D shop



Image created with PYTHA 3D CAD. Copyright Minosa Design. Cabinetry in image does not represent actual library items.

Contents

- 1. Manufacturing Methods**
- 2. Purchase and Download Instructions**
- 3. Library Contents**
 - A. Base Cabinets
 - B. Base Corner Cabinets
 - C. Base Drawer Cabinets
 - D. Tall Cabinets
 - E. Tall Corner Cabinets
 - F. Tall Combination Cabinets
 - G. Overhead Cabinets
 - H. Overhead Corner Cabinets
- 4. Terms and Conditions**



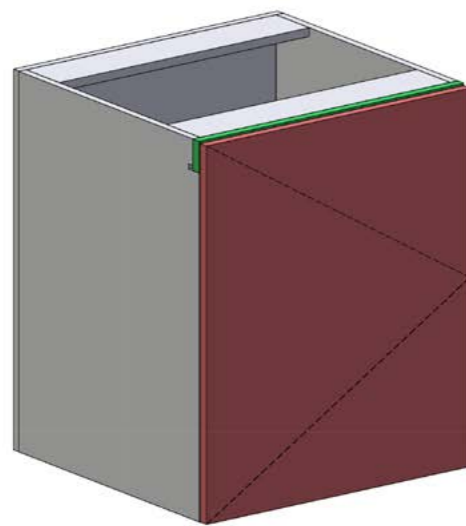
Manufacturing Methods

Our Method

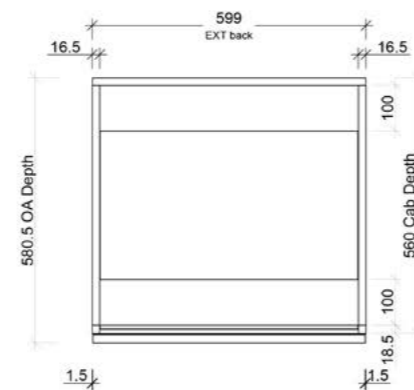
Construction methods used when we build the library items are based on common manufacturing techniques.

Please check the sample construction drawing before making a purchase.

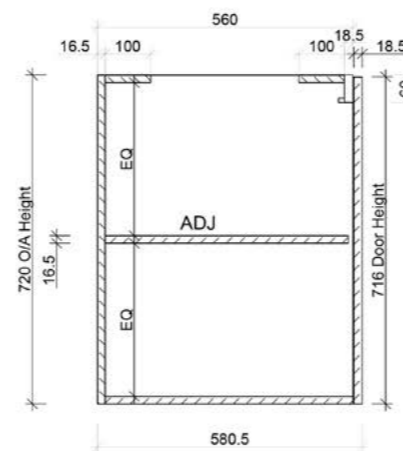
Library items are modifiable and you may be able to customise them to suit your construction methods.



Section A-A



Section C-C



Instructions



Purchase

On receipt of your order and payment we will establish access for you to the online secure library within 48 hours.



Download

We will send you an electronic DropBox link to the online secure library. You will then have access to download and work with each of the items listed in this catalogue.

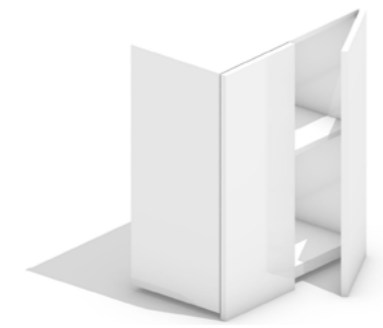
Library Contents



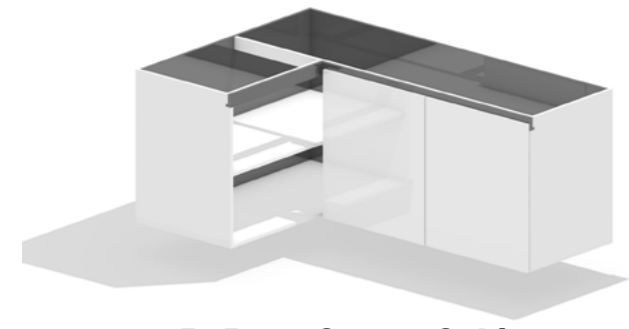
A. Base Cabinets



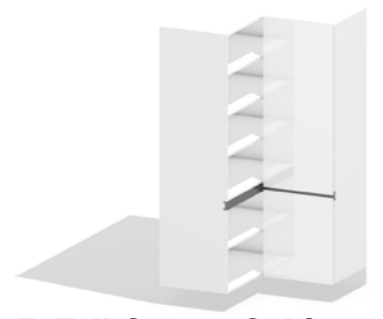
D. Tall Cabinets



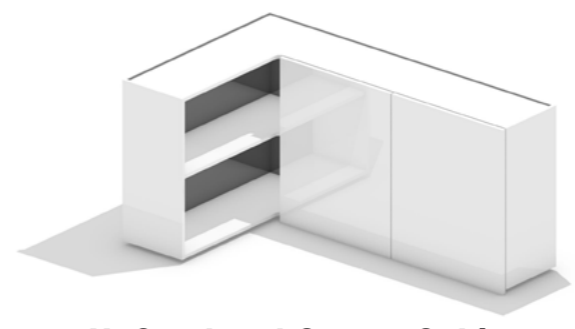
G. Overhead Cabinets



B. Base Corner Cabinets



E. Tall Corner Cabinets



H. Overhead Corner Cabinets



C. Base Drawer Cabinets



F. Tall Combination Cabinets

Library Contents

A. Base Cabinets

Base 1 Door LH EB_FPBB1DLEB
Base 1 Door RH EB_FPBB1DREB
Base 2 Door EB_FPBB2DEB
Base 2 Door Sink EB_FPBB2DSEB

B. Base Corner Cabinets

Base Blind 1 Door LH EB_FPBB1DLEB
Base Blind 1 Door RH EB_FPBB1DREB
Base Blind 2 Door LH EB_FPBB2DLEB
Base Blind 2 Door RH EB_FPBB2DREB
Base Corner 1 Door LH EB_FPBC1DLEB
Base Corner 1 Door RH EB_FPBC1DREB
Base Corner 2 Door LH EB_FPBC2DLEB
Base Corner 2 Door RH EB_FPBC2DREB

C. Base Drawer Cabinets

Base 1 DRW EB_FPBB1DRWEB
Base 2 EQ DRW EB_FPBB2DRWEB
Base 3 DRW 122 EB_FPBB3DRW122EB
Base 3 EQ DRW EB_FPBB3DRWEB
Base 4 DRW 1112 EB_FPBB4DRW1112EB
Base 4 EQ DRW EB_FPBB4DRWEB

D. Tall Cabinets

Tall 1 Door Split LH EB_FPT1DSLEB
Tall 1 Door Split RH EB_FPT1DSREB
Tall 2 Door Split EB_FPT2DSEB

Library Contents

E. Tall Corner Cabinets

Tall Blind 1 Door Split LH EB_FPTB1DSLEB
Tall Blind 1 Door Split RH EB_FPTB1DSREB
Tall Blind 2 Door Split LH EB_FPTB2DSLEB
Tall Blind 2 Door Split RH EB_FPTB2DSREB
Tall Corner 1 Door Split LH EB_FPTC1DSLEB
Tall Corner 1 Door Split RH EB_FPTC1DSREB
Tall Corner 2 Door Split LH EB_FPTC2DSLEB
Tall Corner 2 Door Split RH EB_FPTC2DSREB

F. Tall Combination Cabinets

Tall 1 Door LH 2 DRW EB_FPT1DL2DRWEB
Tall 1 Door LH 3 DRW 122 EB_FPT1DLH-
3DRW122EB
Tall 1 Door LH 3 DRW EB_FPT1DL3DRWEB
Tall 1 Door LH 4 DRW 1112 EB_FPT-
1DL4DRW1112EB

Tall 1 Door LH 4 DRW EB_FPt1DL4DRWEB
Tall 1 Door RH 2 DRW EB_FPT1DR2DRWEB
Tall 1 Door RH 3 DRW 122 EB_FPT1R3DRW122EB
Tall 1 Door RH 3 DRW EB_FPT1DR3DRWEB
Tall 1 Door RH 4 DRW 1112 EB_FPT1DR4DRW1112EB
Tall 1 Door RH 4 DRW EB_FPT1DR4DRWEB
Tall 2 Door 2 DRW EB__FPT2D2DRWEB
Tall 2 Door 3 DRW 122 EB_FPT2D3DRW122EB
Tall 2 Door 3 DRW EB_FPT2D3DRWEB
Tall 2 Door 4 DRW 1112 EB_FPT2D4DRW1112EB
Tall 2 Door 4 DRW EB_FPT2D4DRWEB

Library Contents

G. Overhead Cabinets

OH 1 Door LH EB_FPOH1DLEB
OH 1 Door RH EB_FPOH1DREB
OH 2 Door EB_FPOH2DEB
OH Fridge 2 Door EB_FPOHF2DEB
OH Panel 1 Door LH EB_FPOHP1DLEB
OH Panel 1 Door RH EB_FPOHP1DREB
OH Panel 2 Door EB_FPOHP2DEB
OH Panel Fridge 2 Door EB_FPOHPF2DEB

OH Corner 2 Door RH EB_FPOHC2DREB
OH Panel Blind 1 Door LH EB_FPOHPB1DLEB
OH Panel Blind 1 Door RH EB_FPOHPB1DREB
OH Panel Blind 2 Door LH EB_FPOHPB2DLEB
OH Panel Blind 2 Door RH EB_FPOHPB2DREB
OH Panel Corner 1 Door LH EB_FPOHPC1DLEB
OH Panel Corner 1 Door RH EB_FPOHPC1DREB
OH Panel Corner 2 Door LH EB_FBOHPC2DLEB
OH Panel Corner 2 Door RH EB_FBOHPC2DREB2

H. Overhead Corner Cabinets

OH Blind 1 Door LH EB_FPOHB1DLEB
OH Blind 1 Door RH EB_FPOHB1DREB
OH Blind 2 Door LH EB_FPOHB2DLEB
OH Blind 2 Door RH EB_FPOHB2DREB
OH Corner 1 Door LH EB_FPOHC1DLEB
OH Corner 1 Door RH EB_FPOHC1DREB
OH Corner 2 Door LH EB_FPOHC2DLEB

Terms and Conditions

Conditions of use

By purchasing a Library product from My 3D Shop Pty Ltd you agree to these terms and conditions of use. My 3D Shop Pty Ltd may revise and update these terms and conditions at anytime and without notice.

Libraries in their entirety or otherwise can not be distributed, sold, assigned, transferred or otherwise redistributed either in our original format or as a part of a scene, animation or in any other format from which any original product, or any part of it can be separately exported, extracted, or decompiled into any redistributable form or format.

Library content can be modified in any way in order to conform to your needs, however any such modifications are still derivatives of the original and can not be sold or distributed as your own (whether to be sold separately or packaged/included with any other products/files).

Delivery policy

All products are delivered as access to an electronic file(s) on approval of your order. When your order is approved you will be redirected to a page with a download link. If for some reasons you didn't manage to download the item you can contact us for assistance.

All libraries will be delivered and maintained in the most recent version of PYTHA software. So libraries purchased under one version of the software, may not continue to be fully supported in future releases of the software. We will endeavor to maintain libraries for as long as they may be relevant.

Refund policy

Since My 3D Shop Pty Ltd is offering non-tangible, irrevocable goods we do not issue refunds once the order is accomplished and a link to access the file(s) is sent. As a customer you are responsible for understanding this upon purchasing any library item. We only make exceptions with this rule on the following reasons:

irreparable defects, missing textures, files, etc.: although all the products are thoroughly tested before release, unexpected errors may occur. In this case we may send you a download link with the missing or fixed files or make a refund;

product not-as-described: a request based on this reason is satisfied on a case by case basis in agreement of both parties concerned.

Requests for a refund are accepted within the period of 1 week after the order is placed. You should accompany this request with detailed and grounded reasons why you apply for a refund.

Copyright

All copyrights belong to My 3D Shop Pty Ltd, none of these rights are assigned or transferred to the end-user. All rights are protected by intellectual property laws, international treaty provisions and other applicable laws.



Terms and Conditions

Construction methods

Construction methods used when we build the library items are based on common Australian manufacturing techniques. Your construction methods may vary. Every customer should check the sample construction drawing accompanying each library before making a purchase. We have made every effort to display the products as accurately as possible.

Refunds will not be made for reason of differing construction methods. As a customer you are responsible for understanding this upon purchasing any library item.

Notice

My 3D Shop Pty Ltd makes no representation or warranty or condition of any kind, whether express or implied (either in fact or by operation of law) with respect to the product, including, without limitation, with respect to the sufficiency, accuracy or utilization of, or any information or opinion contained or reflected in, or produced through, any of the product. My 3D Shop Pty Ltd expressly disclaims all warranties or conditions of merchantability or fitness for a particular purpose. The product is provided "as is." The user assumes all risk of use. No officer,

director, employee, member, agent, or representative of My 3D Shop Pty Ltd is authorized to make any modification, extension, or addition to this limited warranty.

You the customer agrees that My 3D Shop Pty Ltd is not responsible, and shall have no liability to you or your business, with respect to any information, product or service offered by others who are linked to My 3D Shop Pty Ltd. My 3D Shop Pty Ltd shall not be liable for any damages allegedly sustained arising from use of the information in the PYTHA files.

Technical services

Implementation and trouble shooting support in the use of PYTHA Libraries is available for those customers on a valid PYTHA software technical services contract by an authorised technical support service provider. For customers not on a valid technical services contract, technical support may be delivered to you at an hourly rate. Please contact us for the latest out of contract hourly rates.



Visit our online store regularly for more products to turbo charge your workday.

WWW.MY3DSHOP.COM.AU

enquiries@my3dshop.com.au



Libraries



Online Training