



PYTHA LIBRARY CATALOGUE

# **1003 Standard Cabinet Finger Pull Internal Back**

**my 3D shop**



Image created with PYTHA 3D CAD. Copyright Pytha GmbH. Cabinetry in image does not represent actual library items.

# Contents

- 1. Manufacturing Methods**
- 2. Purchase and Download Instructions**
- 3. Library Contents**
  - A. Base Cabinets
  - B. Base Corner Cabinets
  - C. Base Drawer Cabinets
  - D. Tall Cabinets
  - E. Tall Corner Cabinets
  - F. Tall Combination Cabinets
  - G. Overhead Cabinets
  - H. Overhead Corner Cabinets
- 4. Terms and Conditions**



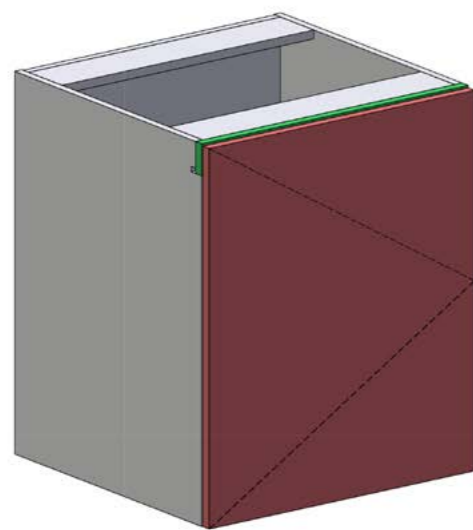
# Manufacturing Methods

## Our Method

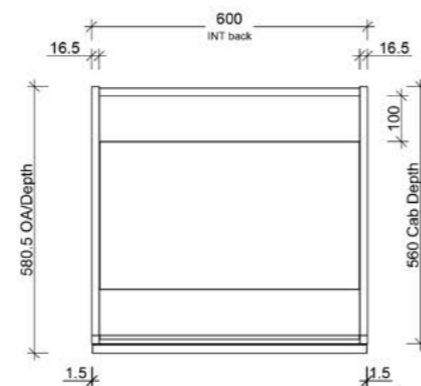
Construction methods used when we build the library items are based on common manufacturing techniques.

Please check the sample construction drawing before making a purchase.

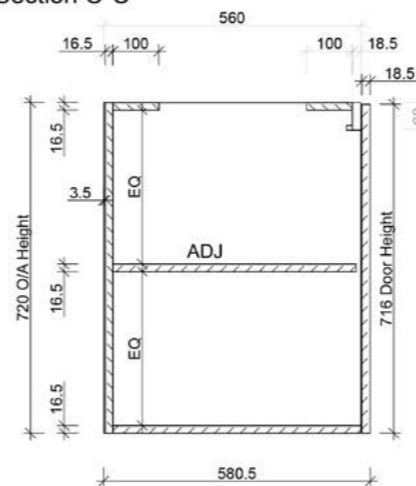
Library items are modifiable and you may be able to customise them to suit your construction methods.



Section A-A



Section C-C



# Instructions



## Purchase

On receipt of your order and payment we will establish access for you to the online secure library within 48 hours.



## Download

We will send you an electronic DropBox link to the online secure library. You will then have access to download and work with each of the items listed in this catalogue.

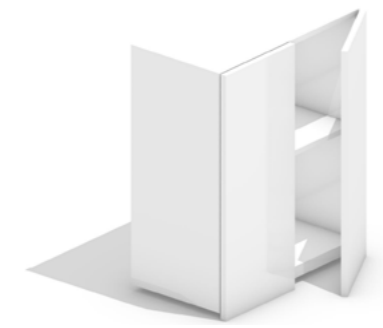
# Library Contents



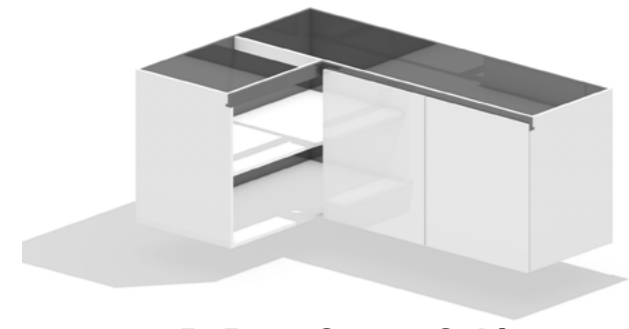
**A. Base Cabinets**



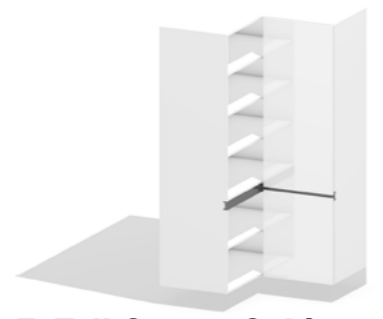
**D. Tall Cabinets**



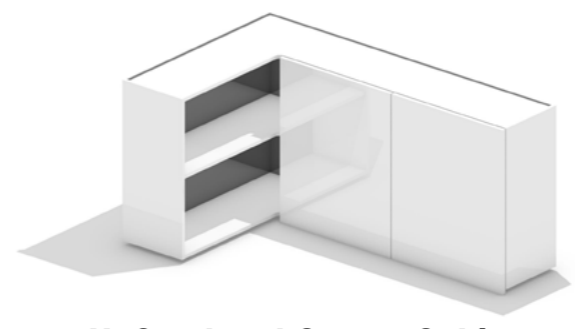
**G. Overhead Cabinets**



**B. Base Corner Cabinets**



**E. Tall Corner Cabinets**



**H. Overhead Corner Cabinets**



**C. Base Drawer Cabinets**



**F. Tall Combination Cabinets**

# Library Contents

## A. Base Cabinets

Base 1 Door LH IB\_FPBB1DLIB  
Base 1 Door RH IB\_FPBB1DRIB  
Base 2 Door IB\_FPBB2DIB  
Base 2 Door Sink IB\_FPBB2DSIB

## B. Base Corner Cabinets

Base Blind 1 Door LH IB\_FPBB1DLIB  
Base Blind 1 Door RH IB\_FPBB1DRIB  
Base Blind 2 Door LH IB\_FPBB2DLIB  
Base Blind 2 Door RH IB\_FPBB2DRIB  
Base Corner 1 Door LH IB\_FPBC1DLIB  
Base Corner 1 Door RH IB\_FPBC1DRIB  
Base Corner 2 Door LH IB\_FPBC2DLIB  
Base Corner 2 Door RH IB\_FPBC2DRIB

## C. Base Drawer Cabinets

Base 1 DRW IB\_FPBB1DRWIB  
Base 2 EQ DRW IB\_FPBB2DRWIB  
Base 3 DRW 122 IB\_FPBB3DRW122IB  
Base 3 EQ DRW IB\_FPBB3DRWIB  
Base 4 DRW 1112 IB\_FPBB4DRW1112IB  
Base 4 EQ DRW IB\_FPBB4DRWIB

## D. Tall Cabinets

Tall 1 Door Split LH IB\_FPT1DSLIB  
Tall 1 Door Split RH IB\_FPT1DSRIB  
Tall 2 Door Split IB\_FPT2DSIB

# Library Contents

## E. Tall Corner Cabinets

Tall Blind 1 Door Split LH IB\_FPTB1DSLIB  
Tall Blind 1 Door Split RH IB\_FPTB1DSRIB  
Tall Blind 2 Door Split LH IB\_FPTB2DSLIB  
Tall Blind 2 Door Split RH IB\_FPTB2DSRIB  
Tall Corner 1 Door Split LH IB\_FPTC1DSLIB  
Tall Corner 1 Door Split RH IB\_FPTC1DSRIB  
Tall Corner 2 Door Split LH IB\_FPTC2DSLIB  
Tall Corner 2 Door Split RH IB\_FPTC2DSRIB

## F. Tall Combination Cabinets

Tall 1 Door LH 2 DRW IB\_FPT1DL2DRWIB  
Tall 1 Door LH 3 DRW 122 IB\_FPT1DLH-  
3DRW122IB  
Tall 1 Door LH 3 DRW IB\_FPT1DL3DRWIB  
Tall 1 Door LH 4 DRW 1112 IB\_FPT-  
1DL4DRW1112IB

Tall 1 Door LH 4 DRW IB\_FPt1DL4DRWIB  
Tall 1 Door RH 2 DRW IB\_FPT1DR2DRWIB  
Tall 1 Door RH 3 DRW 122 IB\_FPT1R3DRW122IB  
Tall 1 Door RH 3 DRW IB\_FPT1DR3DRWIB  
Tall 1 Door RH 4 DRW 1112 IB\_FPT1DR4DRW1112IB  
Tall 1 Door RH 4 DRW IB\_FPT1DR4DRWIB  
Tall 2 Door 2 DRW IB\_\_FPT2D2DRWIB  
Tall 2 Door 3 DRW 122 IB\_FPT2D3DRW122IB  
Tall 2 Door 3 DRW IB\_FPT2D3DRWIB  
Tall 2 Door 4 DRW 1112 IB\_FPT2D4DRW1112IB  
Tall 2 Door 4 DRW IB\_FPT2D4DRWIB

# Library Contents

## G. Overhead Cabinets

OH 1 Door LH IB\_FPOH1DLIB  
OH 1 Door RH IB\_FPOH1DRIB  
OH 2 Door IB\_FPOH2DIB  
OH Fridge 2 Door IB\_FPOHF2DIB  
OH Panel 1 Door LH IB\_FPOHP1DLIB  
OH Panel 1 Door RH IB\_FPOHP1DRIB  
OH Panel 2 Door IB\_FPOHP2DIB  
OH Panel Fridge 2 Door IB\_FPOHPF2DIB

OH Corner 2 Door RH IB\_FPOHC2DRIB  
OH Panel Blind 1 Door LH IB\_FPOHPB1DLIB  
OH Panel Blind 1 Door RH IB\_FPOHPB1DRIB  
OH Panel Blind 2 Door LH IB\_FPOHPB2DLIB  
OH Panel Blind 2 Door RH IB\_FPOHPB2DRIB  
OH Panel Corner 1 Door LH IB\_FPOHPC1DLIB  
OH Panel Corner 1 Door RH IB\_FPOHPC1DRIB  
OH Panel Corner 2 Door LH IB\_FBOHPC2DLIB  
OH Panel Corner 2 Door RH IB\_FBOHPC2DRIB2

## H. Overhead Corner Cabinets

OH Blind 1 Door LH IB\_FPOHB1DLIB  
OH Blind 1 Door RH IB\_FPOHB1DRIB  
OH Blind 2 Door LH IB\_FPOHB2DLIB  
OH Blind 2 Door RH IB\_FPOHB2DRIB  
OH Corner 1 Door LH IB\_FPOHC1DLIB  
OH Corner 1 Door RH IB\_FPOHC1DRIB  
OH Corner 2 Door LH IB\_FPOHC2DLIB



# Terms and Conditions

## Conditions of use

By purchasing a Library product from My 3D Shop Pty Ltd you agree to these terms and conditions of use. My 3D Shop Pty Ltd may revise and update these terms and conditions at anytime and without notice.

Libraries in their entirety or otherwise can not be distributed, sold, assigned, transferred or otherwise redistributed either in our original format or as a part of a scene, animation or in any other format from which any original product, or any part of it can be separately exported, extracted, or decompiled into any redistributable form or format.

Library content can be modified in any way in order to conform to your needs, however any such modifications are still derivatives of the original and can not be sold or distributed as your own (whether to be sold separately or packaged/included with any other products/files).

## Delivery policy

All products are delivered as access to an electronic file(s) on approval of your order. When your order is approved you will be redirected to a page with a download link. If for some reasons you didn't manage to download the item you can contact us for assistance.

All libraries will be delivered and maintained in the most recent version of PYTHA software. So libraries purchased under one version of the software, may not continue to be fully supported in future releases of the software. We will endeavor to maintain libraries for as long as they may be relevant.

## Refund policy

Since My 3D Shop Pty Ltd is offering non-tangible, irrevocable goods we do not issue refunds once the order is accomplished and a link to access the file(s) is sent. As a customer you are responsible for understanding this upon purchasing any library item. We only make exceptions with this rule on the following reasons:

irreparable defects, missing textures, files, etc.: although all the products are thoroughly tested before release, unexpected errors may occur. In this case we may send you a download link with the missing or fixed files or make a refund;

product not-as-described: a request based on this reason is satisfied on a case by case basis in agreement of both parties concerned.

Requests for a refund are accepted within the period of 1 week after the order is placed. You should accompany this request with detailed and grounded reasons why you apply for a refund.

## Copyright

All copyrights belong to My 3D Shop Pty Ltd, none of these rights are assigned or transferred to the end-user. All rights are protected by intellectual property laws, international treaty provisions and other applicable laws.



# Terms and Conditions

## Construction methods

Construction methods used when we build the library items are based on common Australian manufacturing techniques. Your construction methods may vary. Every customer should check the sample construction drawing accompanying each library before making a purchase. We have made every effort to display the products as accurately as possible.

Refunds will not be made for reason of differing construction methods. As a customer you are responsible for understanding this upon purchasing any library item.

## Notice

My 3D Shop Pty Ltd makes no representation or warranty or condition of any kind, whether express or implied (either in fact or by operation of law) with respect to the product, including, without limitation, with respect to the sufficiency, accuracy or utilization of, or any information or opinion contained or reflected in, or produced through, any of the product. My 3D Shop Pty Ltd expressly disclaims all warranties or conditions of merchantability or fitness for a particular purpose. The product is provided "as is." The user assumes all risk of use. No officer,

director, employee, member, agent, or representative of My 3D Shop Pty Ltd is authorized to make any modification, extension, or addition to this limited warranty.

You the customer agrees that My 3D Shop Pty Ltd is not responsible, and shall have no liability to you or your business, with respect to any information, product or service offered by others who are linked to My 3D Shop Pty Ltd. My 3D Shop Pty Ltd shall not be liable for any damages allegedly sustained arising from use of the information in the PYTHA files.

## Technical services

Implementation and trouble shooting support in the use of PYTHA Libraries is available for those customers on a valid PYTHA software technical services contract by an authorised technical support service provider. For customers not on a valid technical services contract, technical support may be delivered to you at an hourly rate. Please contact us for the latest out of contract hourly rates.



**Visit our online store regularly for more products to turbo charge your workday.**

**WWW.MY3DSHOP.COM.AU**

**enquiries@my3dshop.com.au**



**Libraries**



**Online Training**